

FLATCUBE

Foldable Seat Cube



The Flatcube is a foldable and printable seating cube. It revolutionises one of the most popular advertising media for point of sale, events and merchandising.



FLATCUBE

Minimalist and straightforward, the patented Flatcube conjures up a modern feel-good ambience. The ultra-light design piece of furniture is innovative and practical. Weatherproof and hard-wearing materials make the Cube a favourite piece. The foldable seat cube is unfolded with a flick of the wrist and offers valuable storage space. The quality product made in Germany convinces with maximum seating comfort. The matching cushions are comfortable and aesthetic. The Flatcube also scores in terms of sustainability. Compared to conventional seating cubes made of foam, about 73 percent of the space required for storage and transport is saved. Short-term visitors just around the corner? No problem! With Flatcubes you can conjure up stylish seating in just a few minutes where there was none before. The low weight is one of the strengths that guarantee maximum flexibility. The Flatcube is ideal for your next event or camping trip. In restaurants or beach bars, the robust flatcubes create a stylish ambience. Aesthetics and functionality go hand in hand. A space-saving design, comfortable seating, space to store belongings, durability and the use of sustainable materials are the ingredients for the successful concept.



PHILOSOPHY

Innovative strength is what drives us. Our product portfolio combines functionality and aesthetics with sustainability. Passion and interest in new things motivate us to create outstanding pieces of furniture and products. We find development processes particularly exciting. At the beginning there is an idea that is critically examined and takes shape step by step. The best ideas come from teamwork. That's why we rely on old hands and a breath of fresh air in our teams. Innovative ideas, trusted expertise and sound market knowledge are the ingredients for our way of working and corporate culture. We are happy to pass on this added value to our customers in the form of carefully developed products. Our designer furniture offers an exciting mix of functionality and aesthetics.













WE ARE IN *THE FINALS!*

We were nominated with our FLATCUBE for the German Sustainability Award 2021, also known as the German Sustainability Award. We are very proud that our passion for sustainable products and commitment as a pioneer in our industry has now also received official recognition.

The German Sustainability Award is the national award for excellence in sustainability in business, communities and research. We were selected as one of over 1,000 applications to compete against many other innovative products with our FLATCUBE. This confirms once again that the topic of sustainability is not just marketing for us, but that it is part of our DNA and the basis of all our decisions.





GO GREEN!

„This not only ensures the reusability of the system, but also does a service for sustainability, for example by saving waste and conserving resources.“



„THE FLATCUBE IS A FOLDABLE AND PRINTABLE SEATING CUBE. IT REVOLUTIONISES ONE OF THE MOST POPULAR ADVERTISING MEDIA FOR POINT OF SALE, EVENTS AND MERCHANDISING“.

CLIMATE

Due to the small packing size, 92 flatcubes can be shipped on one pallet. This saves the transport volume by 73% compared to conventional foam seat cubes. The CO2 balance for the entire transport chain, from the dealer to the customer, from the customer to events and trade fairs, etc, is thus positively influenced. It can be used for years. The covers are washable and reusable. Likewise, the covers can be changed without having to replace the entire system.

RESOURCES

100% recycled granulate is used to make the body. The textiles are selected Oeko-Tex certified materials or a wool felt made in Germany. Our used re-granulate has a CO2 footprint of only approx. 1/3 of a plastic granulate new goods production.

SUPPLY CHAIN

The textile supply chain, RE-granulate, is limited to regional suppliers or German productions. The RE granulate consists of 100% waste products from German production. Thus short supply routes.

THIS MAKES THE FLATCUBE PARTICULARLY SUSTAINABLE.

But what exactly makes the Flatcube sustainable? The regranulate plays a large part in this. Instead of producing new plastic granulate, the CO2 footprint can be reduced to a third thanks to the recycled raw material. In addition, both the granulate and the seat cube itself are produced regionally, resulting in short supply chains. This also saves on emissions. The folding mechanism of the Flatcube also ensures more sustainable transport. This saves 73% in transport volume compared to conventional seating cubes. More specifically, instead of 16 cubes, a whole 92 can be transported on a Euro pallet, which either creates more space for other products or saves transport costs and thus benefits the environment. The covers are also in the spirit of sustainability, as either Oeko-Tex certified textiles or wool felt from Germany is used. These are also washable and replaceable, so that a new seat cube does not have to be purchased directly when they become dirty or worn. All of these characteristics lead to the Flatcube being in the final of the German Sustainability Award 2022.



Every year, thousands of tonnes of packaging waste are found in the waste of German private households. Collected in yellow bins, yellow bags or similar, these are then collected.



Through various separation and cleaning processes, a regranulate is then finally created from this recycled and processed waste.



This sustainable plastic granulate is EUCert-Plast certified, as 80% or more of the granulate consists of recycled raw materials.



Material	100% recycled PP material
Dimensions built up	40,0 x 40 x 40,8 cm (L x W x H)
Dimensions folded	61 x 40 x 7,5 cm (L x W x H)
Single weight	3,5 kg
Permissible seat load	according to DIN 581 (185kg)
Tested quality	TÜV testet up to 260 kg
Flame behaviour	according to EN 13501-1 / classification B fl-s1 (B1) considered having low flammability & smoke emission.

- ✓ Saves up to 73% storage space and transport costs
- ✓ 7cm height when folded
- ✓ 72 pieces per Euro pallet can be shipped or stored
- ✓ made in Germany
- ✓ timeless, modern design
- ✓ can be used in different ways (hotels, fairs, events etc.)
- ✓ easy to clean
- ✓ B1 certified



Seating comfort

The stable body ensures a wobble-free sitting. The integrated foam allows you to sit on it for longer.



Foam

The cover for the Flatcube is equipped with integrated and sewn foam. This contributes to ideal seating comfort.



Made in Germany

The Flatcube is a product that bears the slogan „made in Germany“.



Ökotex-certificate

The textile of our Flatcube has been awarded the Oeko Tex Standard 100 certificate.



Quick setup

The seat cube can be easily assembled and disassembled in less than a minute.



Tested safety

Safety-relevant products such as seating furniture bear the „tested quality“ seal. Our Flatcube has the TÜV Thüringen tested certificate.



B1-Certificate

Our Flatcube is B1 marked, „flame retardant“ textiles, according to fire protection standard DIN 4102-1.



Space-saving

This product is characterised by its small packing size. This saves you storage space and shipping costs.



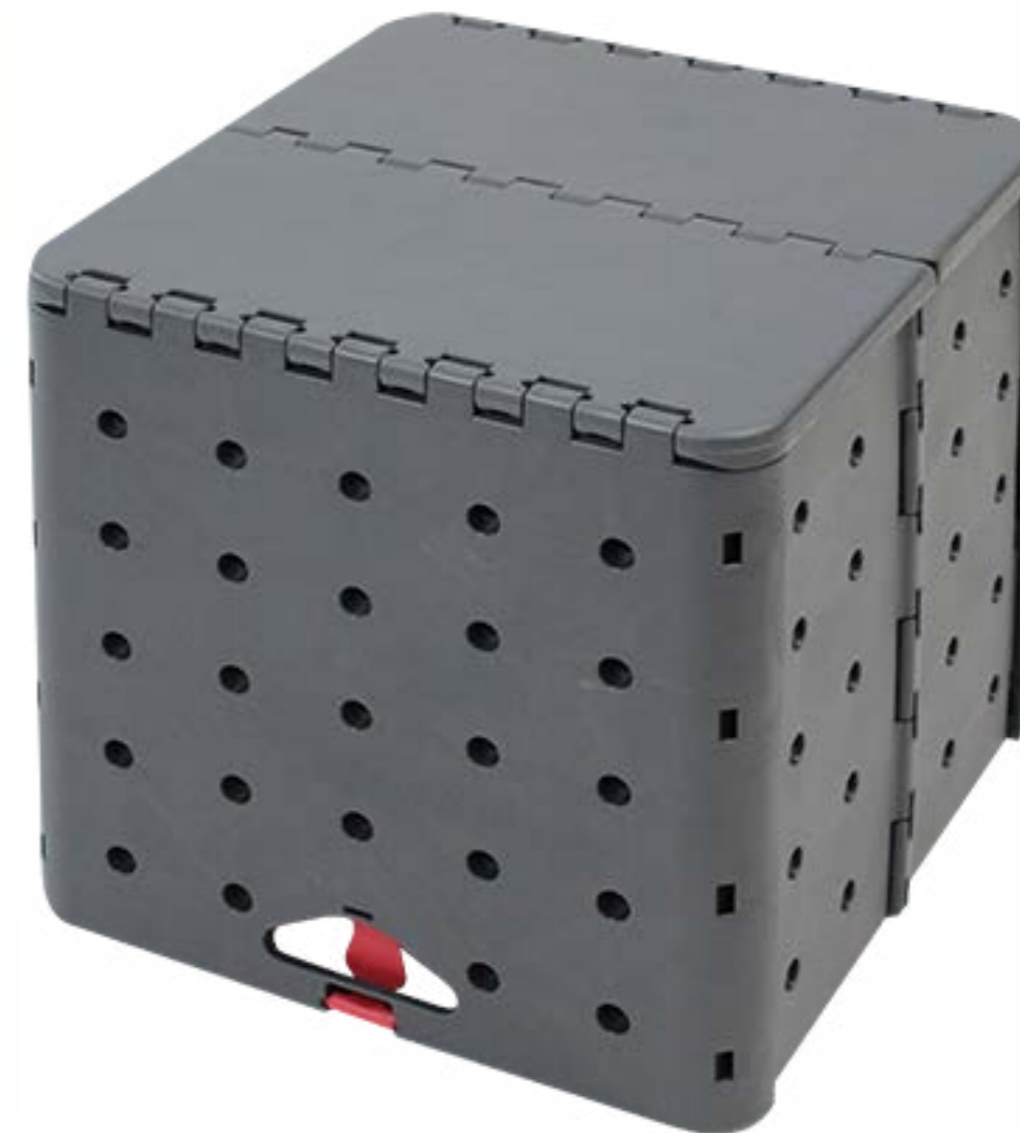
Tool-Free Setup

Products can be assembled in no time with just a few simple steps and completely without tools.

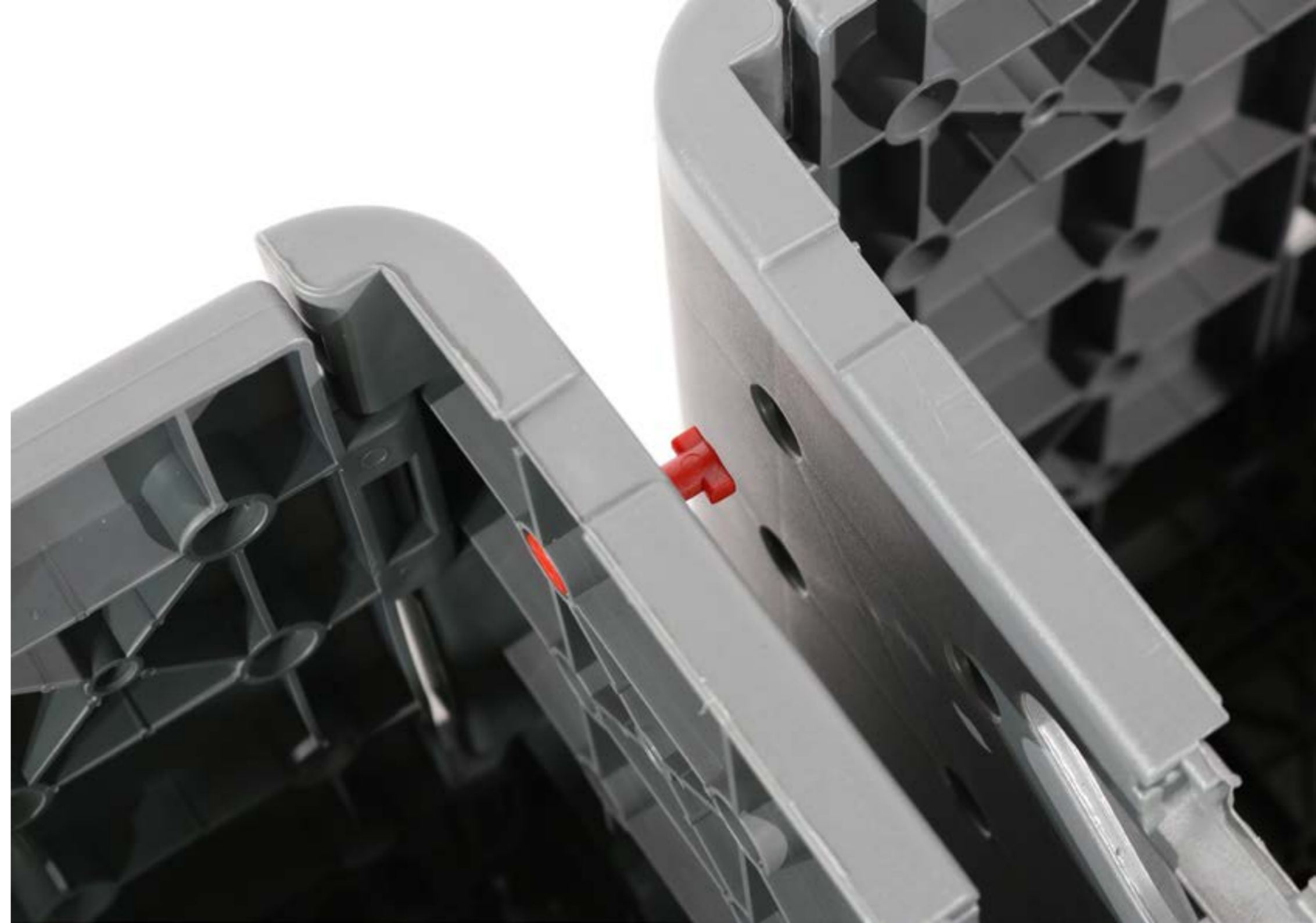


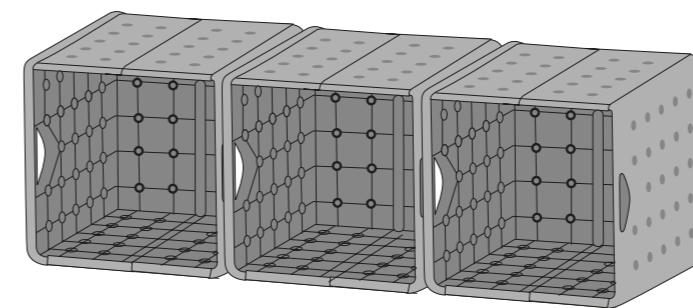
Made from PET

The body of the Flatcube is made from 100% recycled PP material and is therefore a recycled product.



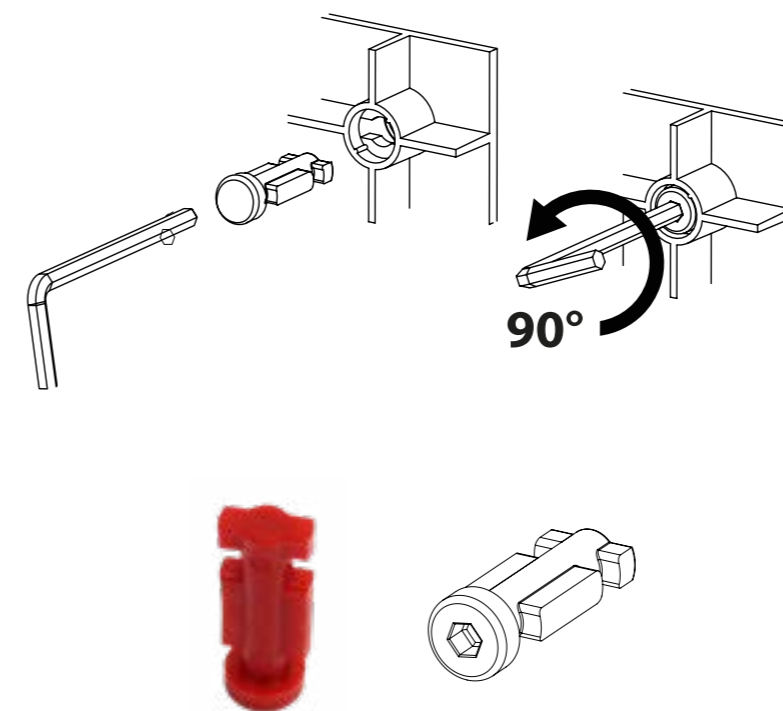
THE FLATCUBE AS A MODULAR SOLUTION.





Pluggable as a two or three-seater bench

The Flatcube body can be easily assembled into a two- or three-seater bench. You decide how many seats there are at your event.



Easy to put together and fix

The individual corpuses can be easily connected with the special socket spanners. You only need a suitable key to close and fix the sockets.

Special socket wrench

This socket spanner was specially designed and developed by us for the Flatcube. The mechanism is child's play.



**CREASE-RESISTANT AND CHANGEABLE!
IT ALL DEPENDS ON THE RIGHT TEXTILE.**



TEXTILE INFORMATION

B1 LOTUS FABRIC (flame retardant and water repellent)

The very light material is used for the production of our flatcube covers. It is easy to fold and store. The textile is B1 certified and therefore perfect for trade fairs and events.



4 Color Print



B1-Certificate



Made in Europe

OEKO-TEX®
STANDARD 100

Ökotex-certificate

Sublimation
Print

Waterproof



adidas

TERREX

CERTIFICATES & INFO

Flatcube Packaging

- FSC Recycled Packaging
- Recycled plastic bag

Flatcube body

- TÜV Thüringen certified
- VOGT Plastic GmbH EU Cert Plast Recyclers EU



LOGISTICS INFORMATION

Scope of delivery	incl. non-woven carrier bag
Dimensions packaging unit	64,0 x 41,0 x 11,0 cm
Weight packaging unit	4,7kg
Pallet information	max. 72 pieces in single shipping box
Pallet height	EPAL 212cm max. load
Sales unit	Outer box
Pieces	1



Single shipping box Flatcube 4.7 kg.

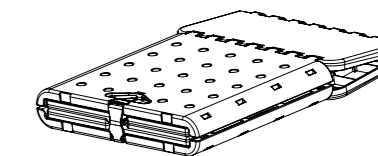


max. four units bundled count as one shipping unit. Saves costs and space.



92 pieces without shipping box

Thanks to the patented folding technique, it is possible to ship up to 92 flatcubes on a standard Euro pallet without a shipping box.



Small size

When folded, the Flatcube measures just 7.5 cm in height.



max. 72 pieces with shipping box

With shipping carton you have the possibility to stack 72 cartons on one Euro pallet.

FITS INTO ANY TRUNK

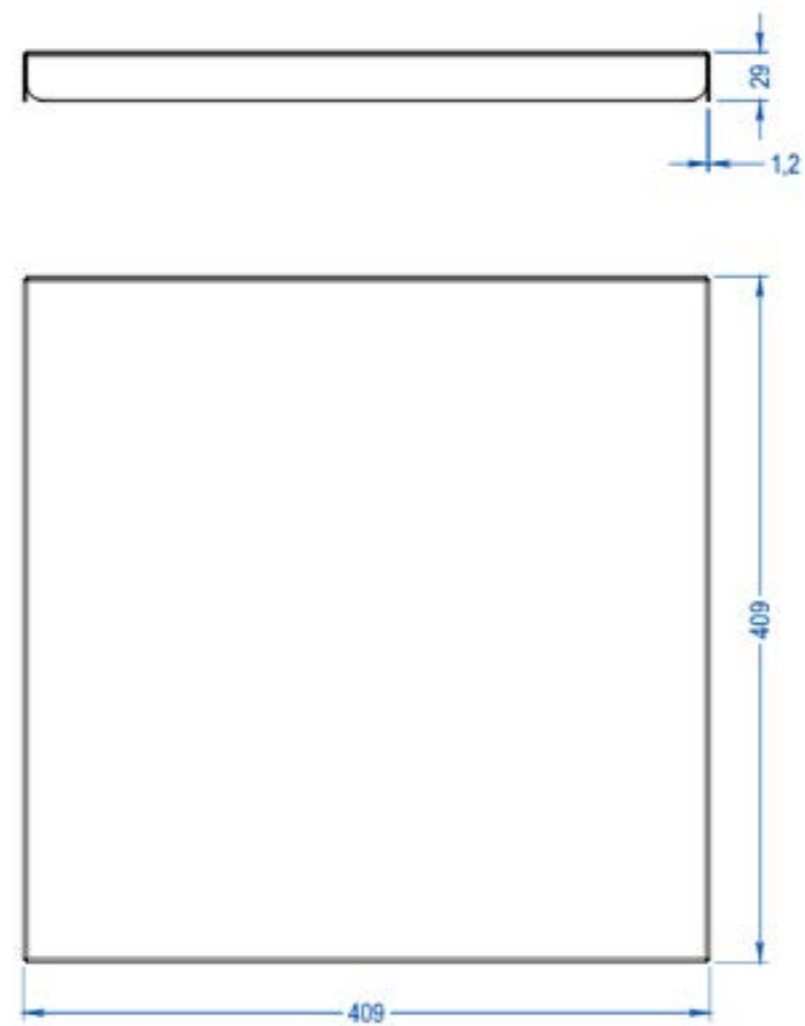


FLATCUBE BECOMES TABLE.

Transform your Flatcube into a stylish meeting table in no time! Simply place the stainless steel plate on top and you're done! The high-quality plate fits perfectly on the Flatcube. Alternatively, the lid can also be used as a tray.



Material	Metal Sheet
Colour	RAL 9005 Deep black
Surface	Fine structure matt
Haptics	Pulverite 5620/0026



GALLERY

























DO YOU HAVE ANY QUESTIONS?
JUST CONTACT US!

info@flat-furniture.com
www.flat-furniture.com

THANK YOU.
MERCİ. GRAZIE.
VIELEN DANK.

FLAT FURNITURE is a brand of the
KASTELIC & Co. d.o.o.
Stranići kod Lovreča 6A
52448 Sveti Lovreč
HRVATSKA / Croatia